



# Underground Pipe Spacers



**For fast, easy, economical installation  
of underground pipes**

- Wildest range of spacers available
- Quick, simple installations
- Lowest cost pipe spacer system available



**SNOW PTE. LTD.**  
(199403347W)

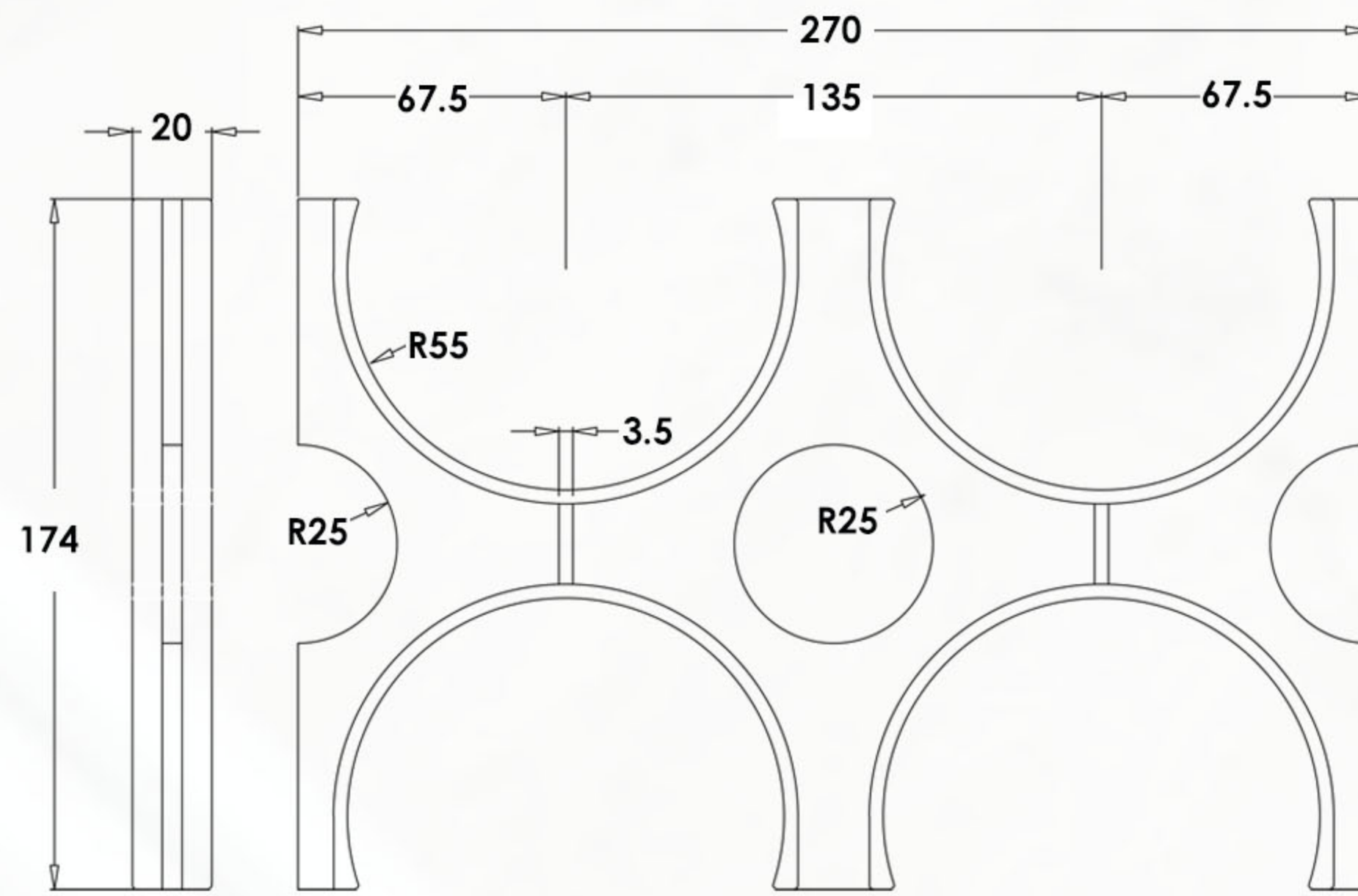
Add: 15A Tuas Avenue 18, #03-01 Singapore 638905  
Tel: +(65) 6286 9555  
Fax: +(65) 6281 9555  
E-mail: [www.snow.sg](http://www.snow.sg)



[www.snow.sg](http://www.snow.sg)

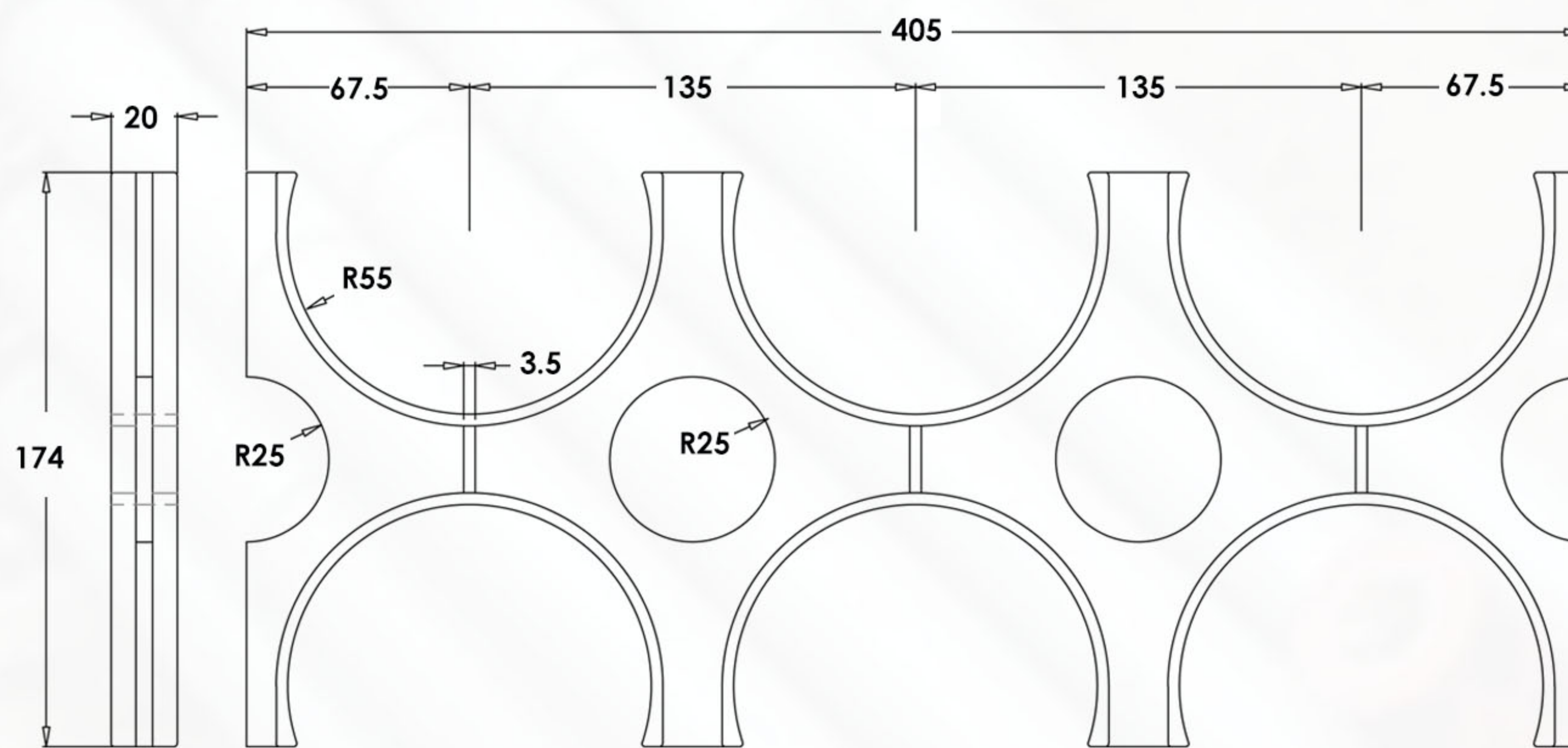


# PIPE SPACER



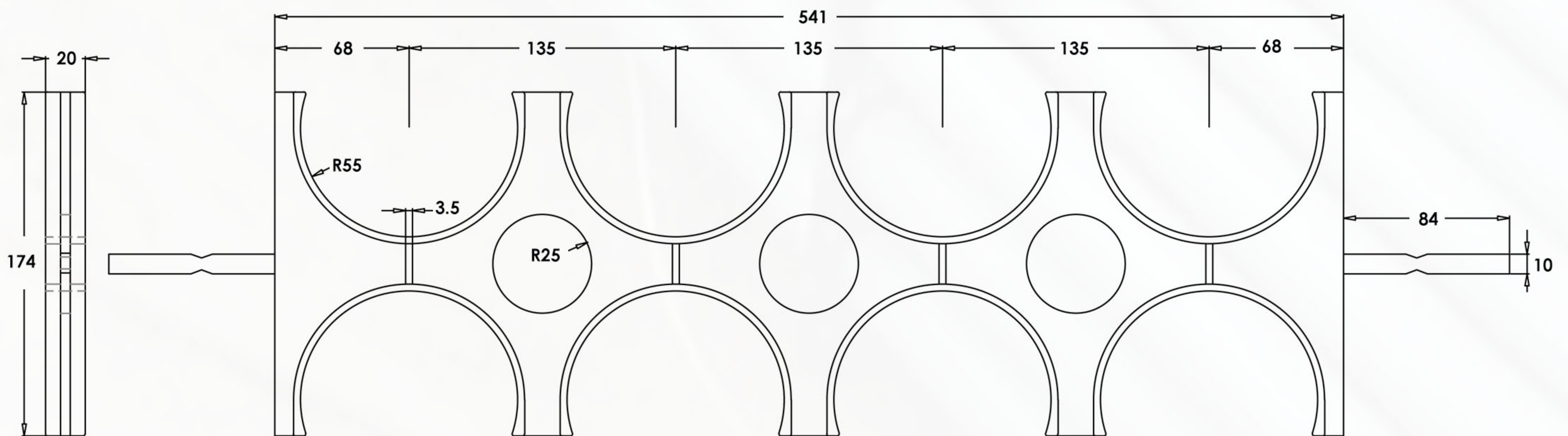
## AC110\*4

4\*110mm Telephone Arches Spacer (P.P)



## AC110\*6

6\*110mm Telephone Arches Spacer (P.P)

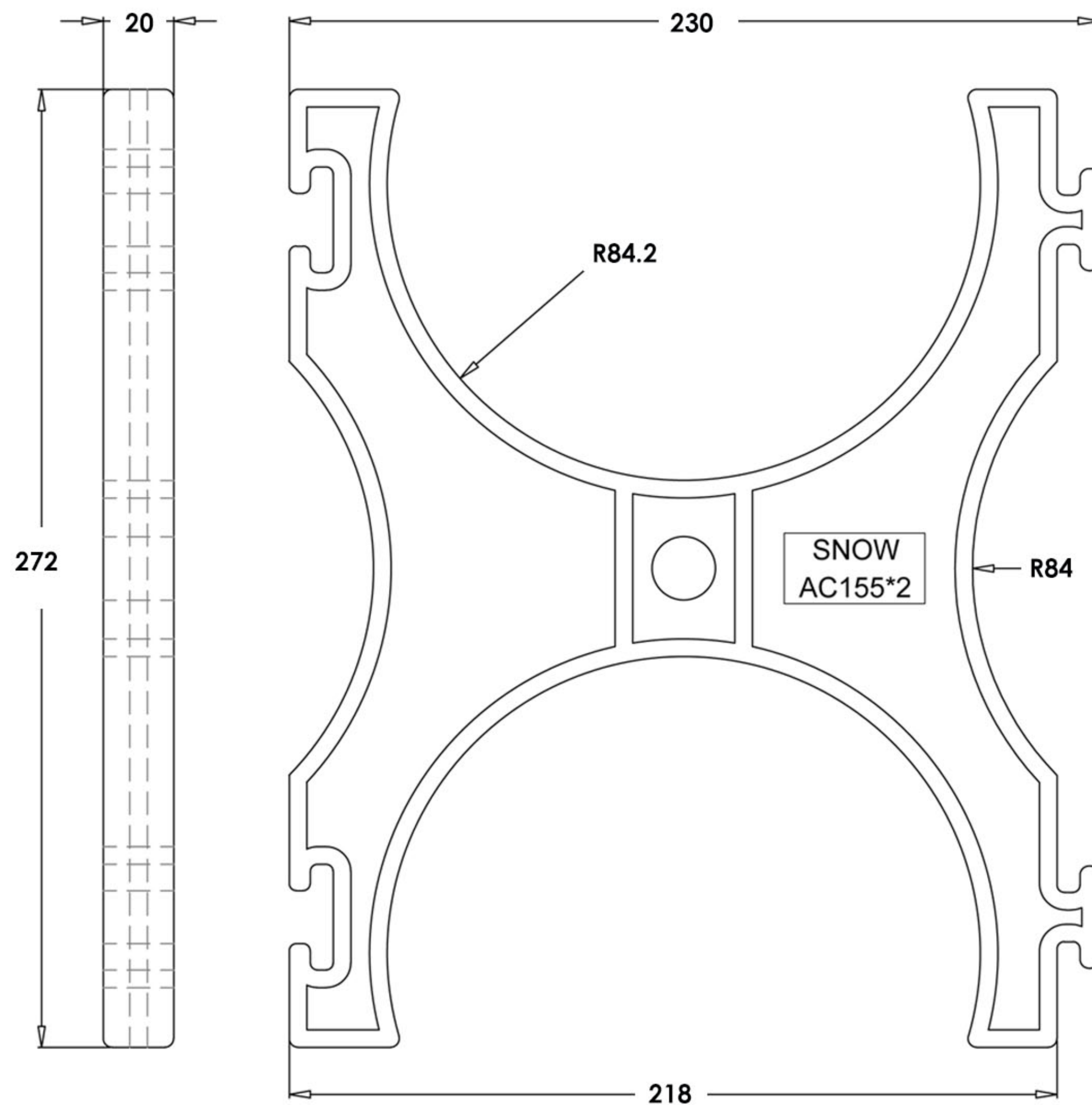


## AC110\*8

8\*110mm Telephone Arches Spacer (P.P)

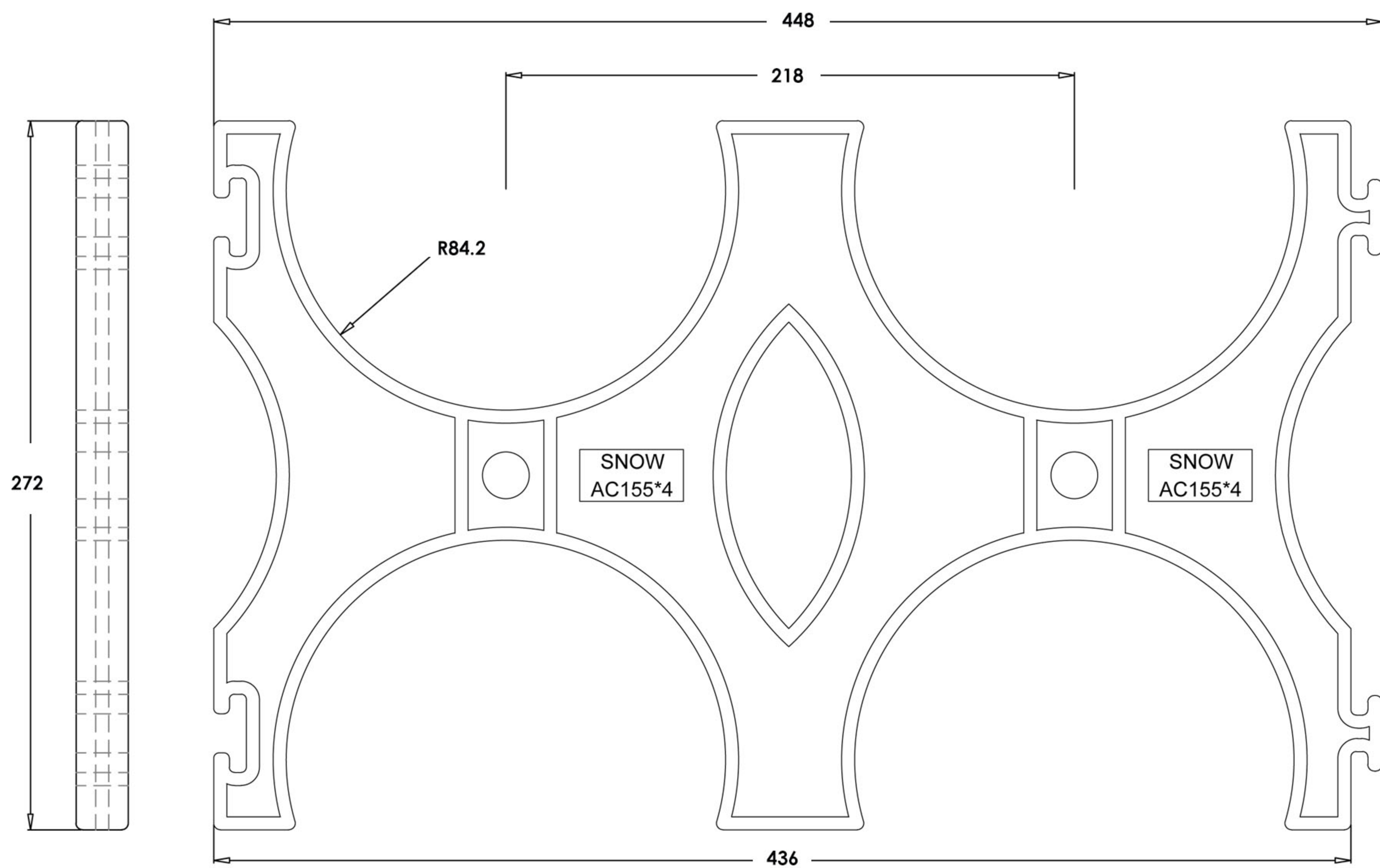


# PIPE SPACER



## AC155\*2

6"\*2 Holes CL B Arches Spacer (P.P.)



## AC155\*4

6"\*4 Holes CL B Arches Spacer (P.P.)